

HA-3 Coupler



PRODUCT SPECIFICATION

HA-3 Coupler

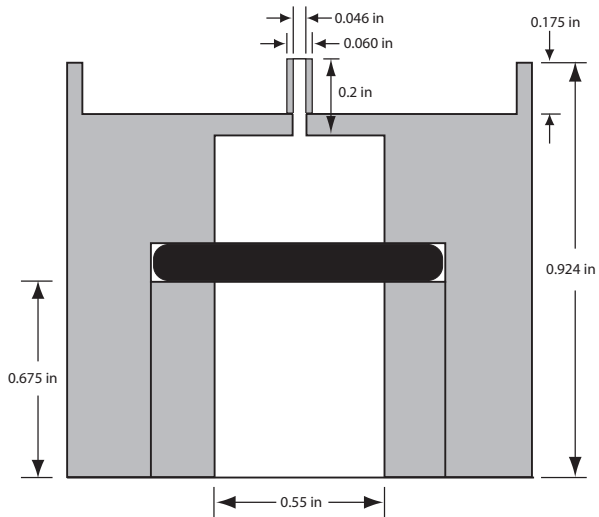
The HA-3 coupler is designed to test faceplates of custom hearing aids before they have been fully assembled. It consists of a 2-cc coupler with a small entry tube. A piece of tubing is placed on the tube in order to connect it with the faceplate. A protective flange is built around the entry tube in order to protect it from damage. The coupler is designed for use with the 14 mm FONIX coupler microphones.

In order to conform to the ANSI S3.7-1995 standard (and thus the ANSI S3.22 hearing aid specification standard), the manufacturer must specify the tubing diameter and length used on the coupler.



Figure 1—HA-3 Coupler

The dimensions for the HA-3 coupler are displayed below.





FRYE ELECTRONICS, INC.

P.O. Box 23391 • Tigard, OR 97281-3391 • USA

(503) 620-2722 • (800) 547-8209

Fax: (503) 639-0128

www.frye.com • email: sales@frye.com